

Midrange speaker GZUM 80SQ

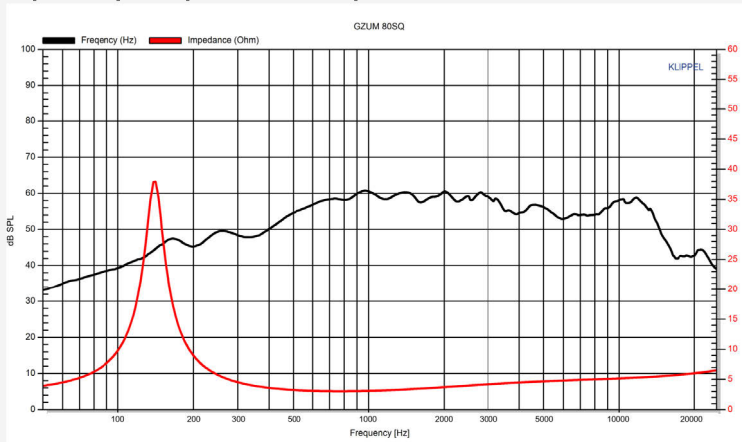


Main features

- High-Quality SQ midrange speaker
- Klippel® optimized
- Black anodized aluminum cone
- GZ-design fiber reinforced basket
- High-efficient, linearized neodymium motor
- Durable rubber surround
- Gold plated terminals
- GZ-design hexagon protection grill

Art.nr 32223020

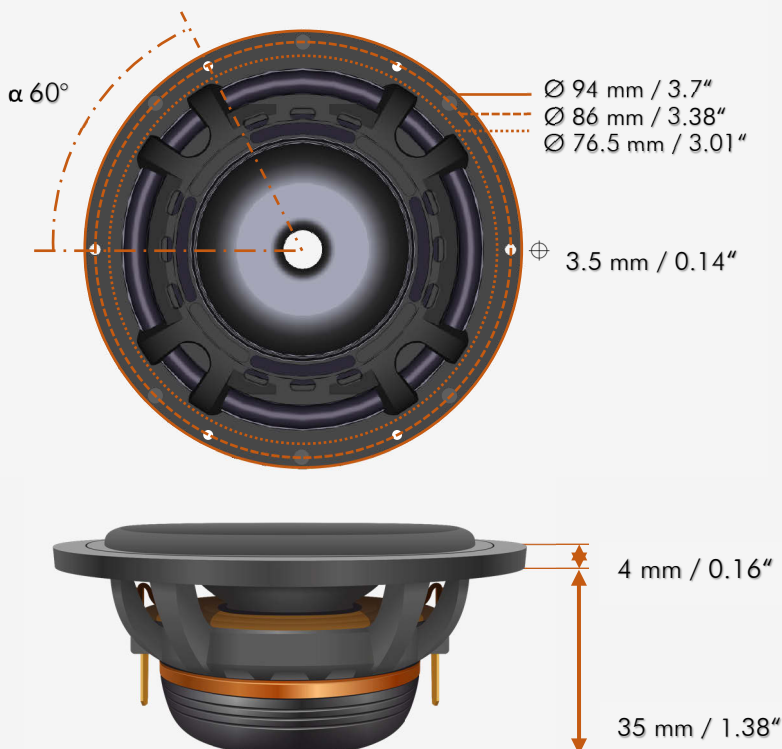
Frequency response / impedance



Audio parameters (TSP)

Efficiency (SPL)	90 dB (1 W / 1 m)
$F_s$	134 Hz
$Q_{es}$	0.37
$Q_{ms}$	4.26
$Q_{ts}$	0.34
$V_{as}$	0.71 L / 0.025 cu.ft.
$M_{ms}$	3.7 g
$B_L$	4.9 Tm
$X_{max}$ (peak to peak)	12 mm / 0.47 inch
$C_{ms}$	0.38 mm/N
$R_{ms}$	0.73 kg/s
$L_e$	0.033 mH (@ 1kHz)
$R_e$	2.8 $\Omega$
$S_d$	36.3 cm <sup>2</sup> / 5.63 sqin

Dimensions



Specifications

Nominal diameter	80 mm / 3.15"
Frequency response	200 Hz – 6000 Hz
Magnet system	Linearized neodymium
Voice coil $\varnothing$	25 mm / 1"
Voice coil wire	Copper
Cone material	Anodized aluminum
Dust cap material	Anodized aluminum
Rec. high pass freq.	250 Hz (12 dB/oct.)
Rec. low pass freq.	5000 Hz (12 dB/oct.)
Speaker terminal	Gold plated
Impedance (nominal)	3 $\Omega$
Max. power handling	80 Watts max.
Cont. power handling	50 Watts RMS
Protection grill	GZ-design hexagon style