

GZIW 15SPL

GROUND ZERO[®]
GERMAN ENGINEERING



KLIPPEL

GROUND ZERO GmbH – Erlenweg 25 – 85658 Eggenmating – Germany



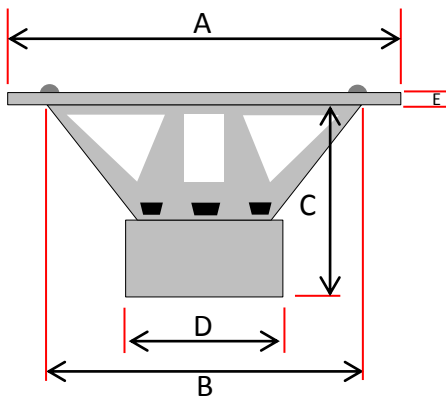
GroundZeroAudioCom

www.ground-zero-audio.com
info@ground-zero-audio.com



TECHNICAL SPECIFICATIONS

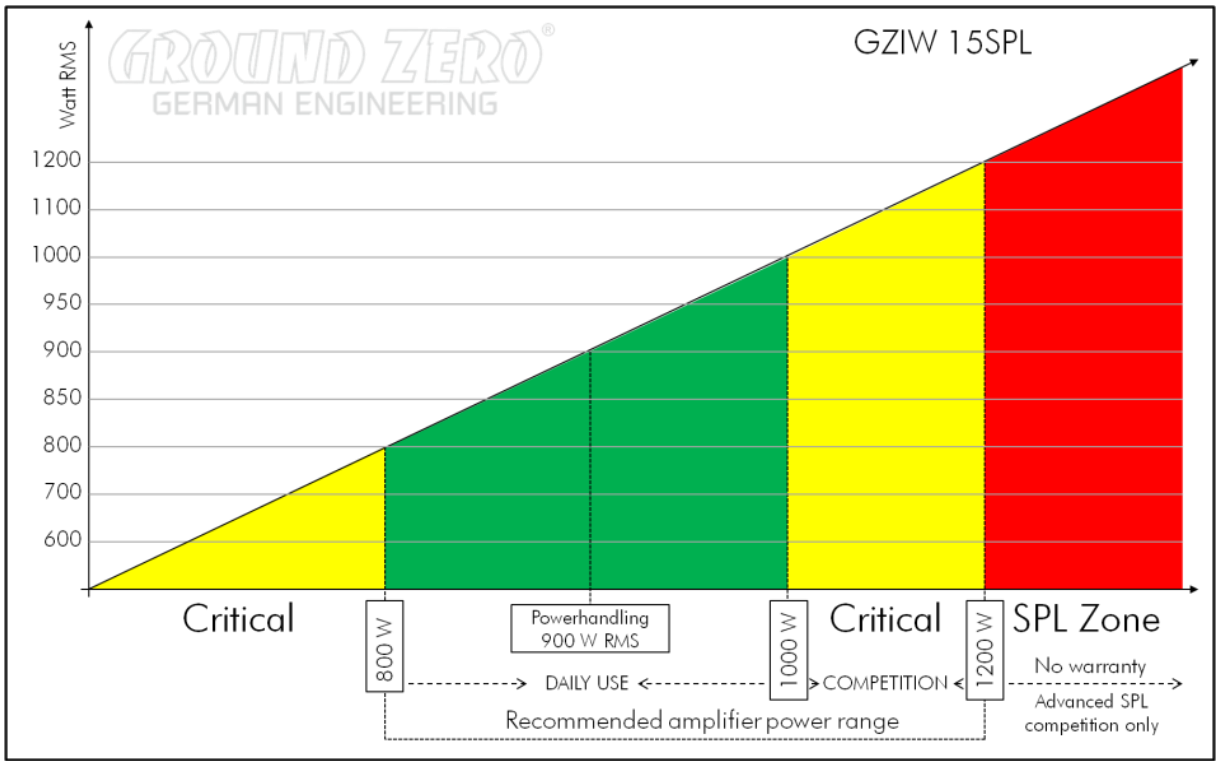
Product name	GZIW 15SPL	Gasket	Foam
Product type	Subwoofer chassis	Terminal	Chrome Push terminal
Diameter	386 mm / 15.2"	Power handling	1200 W SPL Power (900 WRMS)
Mounting diameter	360 mm / 14.17"	Impedance	2 x 2 Ohm
Mounting depth	188 mm / 7.4"	Re	4 Ohm
Magnet dimension	2 x 170 x 20 mm	Res	36.37 Ohm
Total weight	8.8 KG	FS	39.9 Hz
Voice coil diameter	63 mm / 2.5" Round Wire	Qms	5.47
Voice coil winding height	30 mm / 1.18"	Qes	0.61
Voice coil wire material	Copper	Qts	0.54
Voice coil former material	Aluminium	Rms	13.54 kg/s
Top plate height	10 mm / 0.39"	Cms	0.054 mm/N
Linear excursion (one direction)	10 mm / 0.39"	Mms	295.35 gr
Effective Xmax	35 mm / 1.38"	BL	22.19 N/A
Top Plate and T-Yoke color	Black	SPL	91 dB
Basket material	Steel	VAS	61.32 L / 2.165 cu.ft
Basket color	Yellow	Le	2.87 mH
Spider	2 layer Polycot / Connex	Recommended freq. response	35 – 120 Hz
Surround	V Shape High roll Foam	Recommended amplifier power	800 – 1200 WRMS @ 4 Ohm / 1 Ohm
Cone	Reinforced Paper	Sound Quality	☺☺ (max. ☺☺☺☺☺☺)
Dustcap	Convex IMPP with 3D Logo	SPL Competition	☺☺☺ (max. ☺☺☺☺☺☺)
Magnetcover	PVC boot	Low bass performance 20-50Hz	☺☺☺☺ (max. ☺☺☺☺☺☺)
		Mid bass performance 50-80Hz	☺☺☺ (max. ☺☺☺☺☺☺)



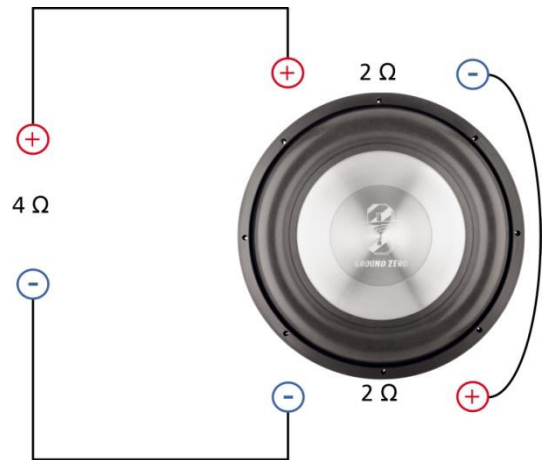
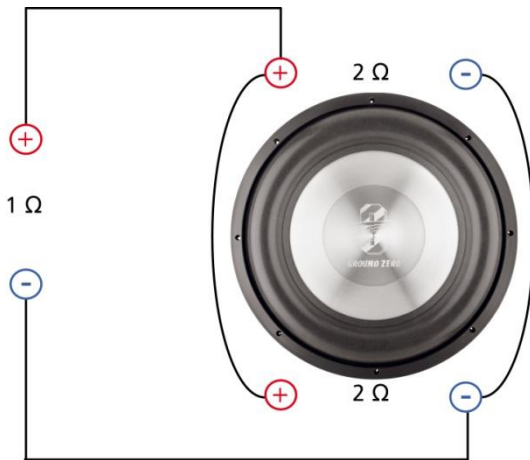
A	386 mm / 15.2"
B	360 mm / 14.17"
C	188 mm / 7.4"
D	177 mm / 6.97"
E	6 mm / 0.24"

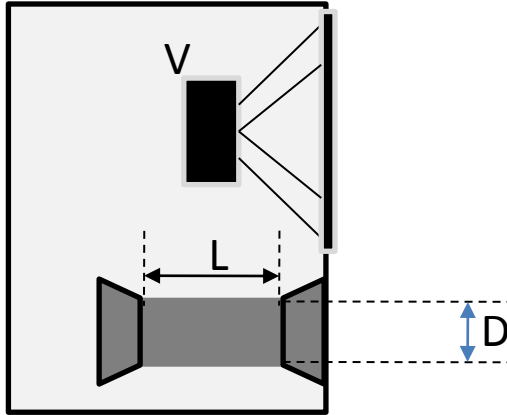


AMPLIFIER RECOMMENDATION

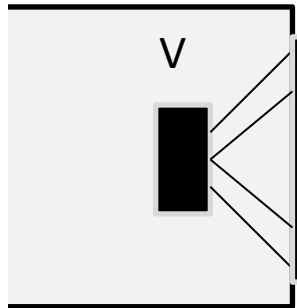


WIRING

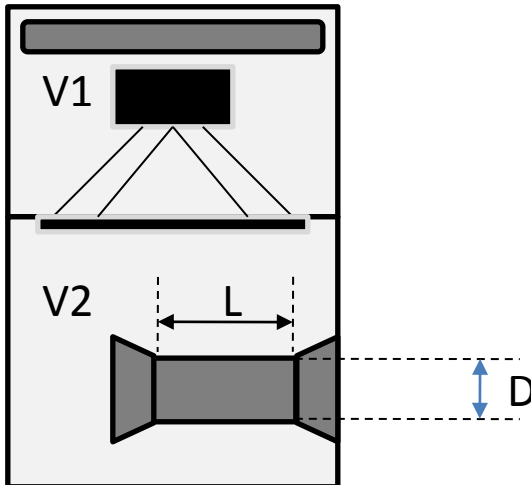


BOX RECOMMENDATION

Big size vented box

V: 100 L / 3.5 cu.ft
 D: 2 x 100 mm / 4"
 L: *300 mm / 12"
 No damping


Free Air

~500 L / 17.66 cu.ft
 Qtc. 0.57


Big size bandpassbox

V1: 50 L / 1.77 cu.ft
 V2: 50 L / 1.77 cu.ft
 D: 2 x 100 mm / 4"
 L: *220 mm / 8.7"

20% polyester wool in V1
 No damping in V2

* Die hier aufgeführten Gehäusevorschläge sind nur einige, der möglichen Varianten.

Bitte beachten Sie zudem, dass die finale Abstimmung, speziell die Port Längen je nach Fahrzeug und eigenem Geschmack variiert werden sollte.
 Above-mentioned enclosure recommendations are just a few possible variations.

Please note that you should find the perfect tuning, especially port length, based on your car and own taste.



BOX RECOMMENDATION



Curve	Type	Volume	F3/ Qtc
Red	Vented	100 L / 3.5 cu.ft	34.6 Hz
Blue	Free Air	~ 500 L / 17.66 cu.ft	54 Hz / 0.57
Green	Bandpass 4th order	V1: 50 L / 1.77 cu.ft V2: 50 L / 1.77 cu.ft	Centerfreq. 55 Hz

* Die hier aufgeführten Gehäusevorschläge sind nur einige, der möglichen Varianten.
 Bitte beachten Sie zudem, dass die finale Abstimmung, speziell die Port Längen je nach Fahrzeug und eigenem Geschmack variiert werden sollte.
*Above-mentioned enclosure recommendations are just a few possible variations.
 Please note that you should find the perfect tuning, especially port length, based on your car and own taste.*

