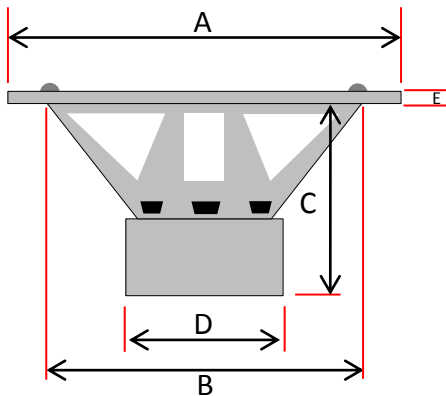




TECHNICAL SPECIFICATIONS

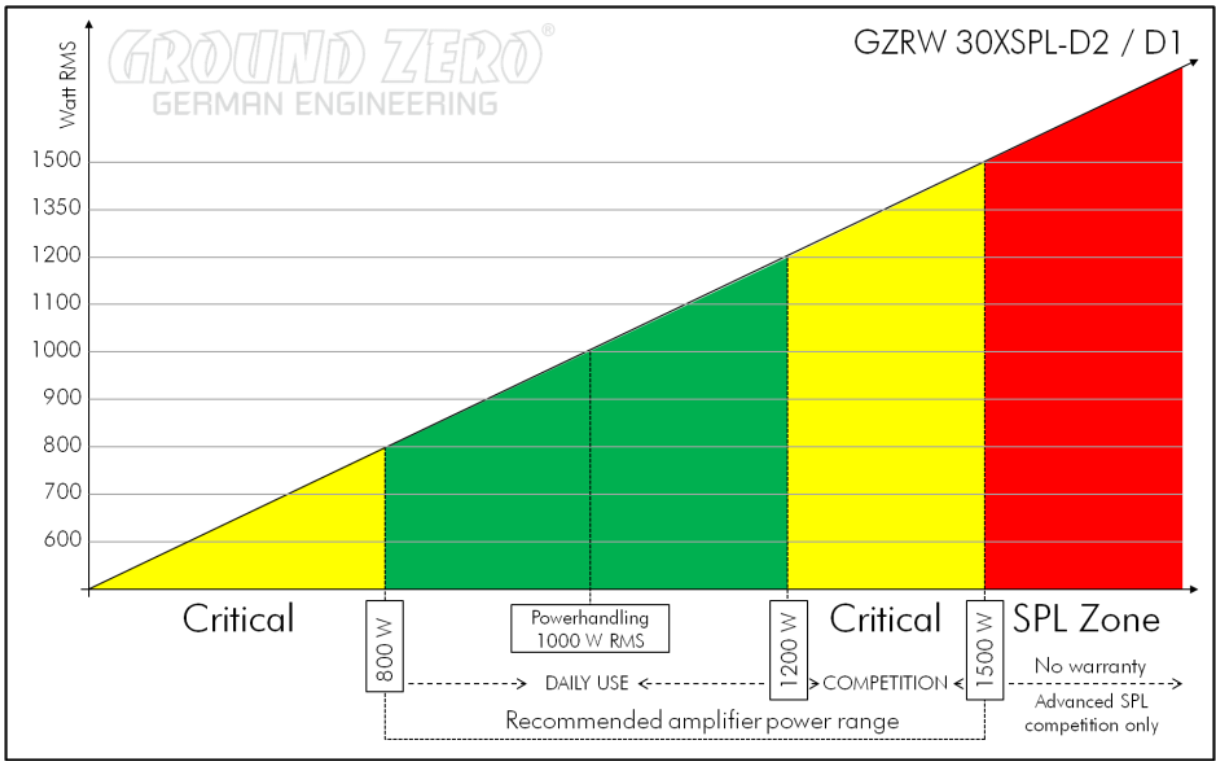
Product name	GZRW 30XSPL-D2	Gasket	Foam
Product type	Subwoofer chassis	Terminal	Chrome Push Terminal
Diameter	320 mm / 12.6"	Power handling	1500 W SPL Power (1000 WRMS)
Mounting diameter	283 mm / 11.14"	Impedance	2 x 2 Ohm
Mounting depth	159 mm / 6.26"	Re	3.66 Ohm
Magnet dimension	2 x 170 x 20 mm	Res	28.24 Ohm
Total weight	8,7 KG	FS	36.1 Hz
Voice coil diameter	75 mm / 3 " Round Wire	Qms	5.142
Voice coil winding height	35 mm / 1.38"	Qes	0.667
Voice coil wire material	Copper	Qts	0.591
Voice coil former material	Aluminum	Rms	13.156 kg/s
Top plate height	10 mm / 0.3937"	Cms	0.065 mm/N
Linear excursion (one direction)	12,5 mm / 0.49 "	Mms	298.2
Effective Xmax	40 mm / 1.57"	BL	19.275
Top Plate and T-Yoke color	Black	SPL	86 dB
Basket material	Steel	VAS	22.94L / 0.81 cu.ft
Basket color	Yellow	Le	3.214 mH
Spider	2-layer Polycot	Recommended freq. response	35 – 100 Hz
Surround	High Roll Sandwich	Recommended amplifier power	800 – 1500 WRMS @ 4 Ohm / 1 Ohm
Cone	Reinforced paper	Sound Quality	☺☺ (max. ☺☺☺☺☺☺)
Dustcap	Convex IMPP with 3D Logo	SPL Competition	☺☺☺☺ (max. ☺☺☺☺☺☺)
Magnetcover	Rubberboot	Low bass performance 20-50Hz	☺☺☺ (max. ☺☺☺☺☺☺)
		Mid bass performance 50-80Hz	☺☺☺ (max. ☺☺☺☺☺☺)



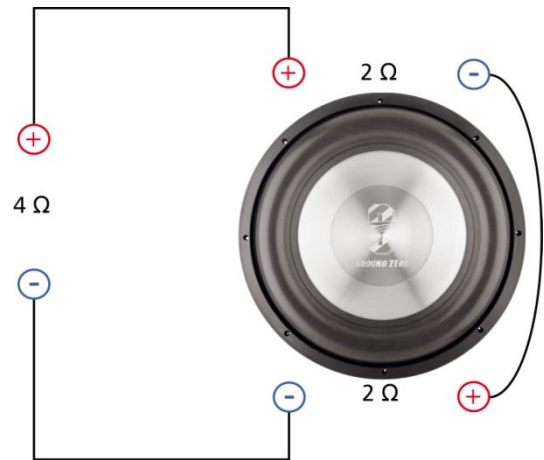
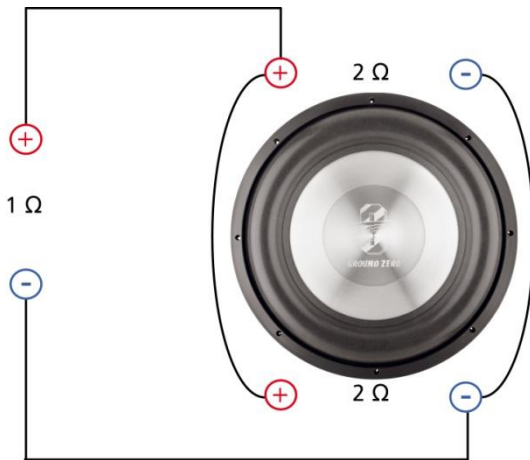
A	320 mm / 12.6"
B	283 mm / 11.14"
C	159 mm / 6.26"
D	175 mm / 6.89"
E	16 mm / 0.63"

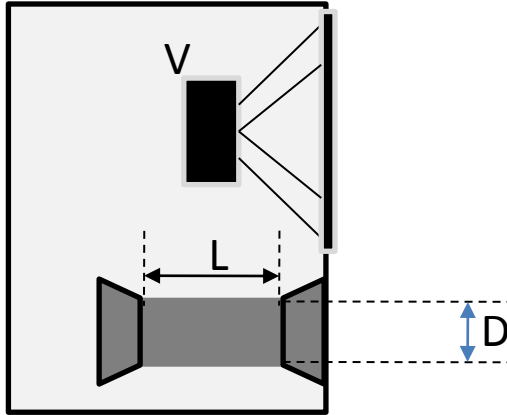


AMPLIFIER RECOMMENDATION



WIRING



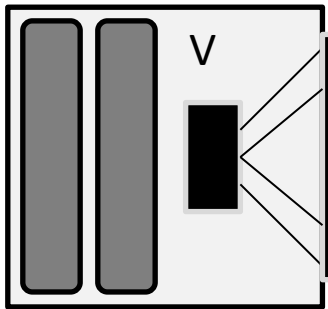
BOX RECOMMENDATION

Medium size vented box

V: 60L / 2.11 cu.ft

D: 1x 160 mm / 6"

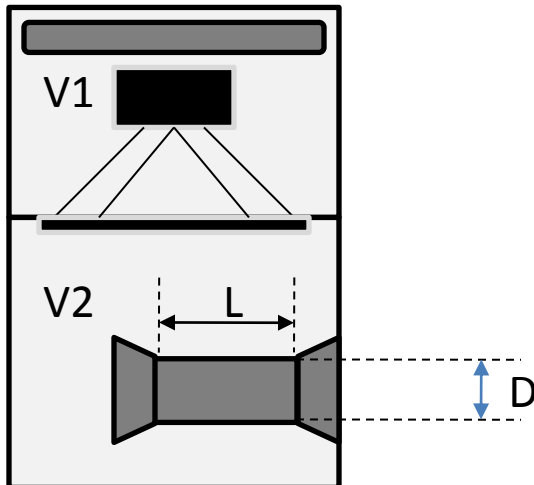
L: 1x 300 mm / 12"

No damping


Small size sealed box

V: 15 – 40L / 0.53 – 1.41 cu.ft

40 - 60% Polyester wool


Medium size bandpassbox

V1: 20 L / 0.706 cu.ft

V2: 40 L / 1.41 cu.ft

D: 2x 100 mm / 4"

L: 2x 270 mm / 10.63"

Center Freq.: 58Hz

Bandwidth (-3dB): 35 – 92 Hz

20% polyester wool in V1

No damping in V2

Die hier aufgeführten Gehäusevorschläge sind nur einige, der möglichen Varianten.

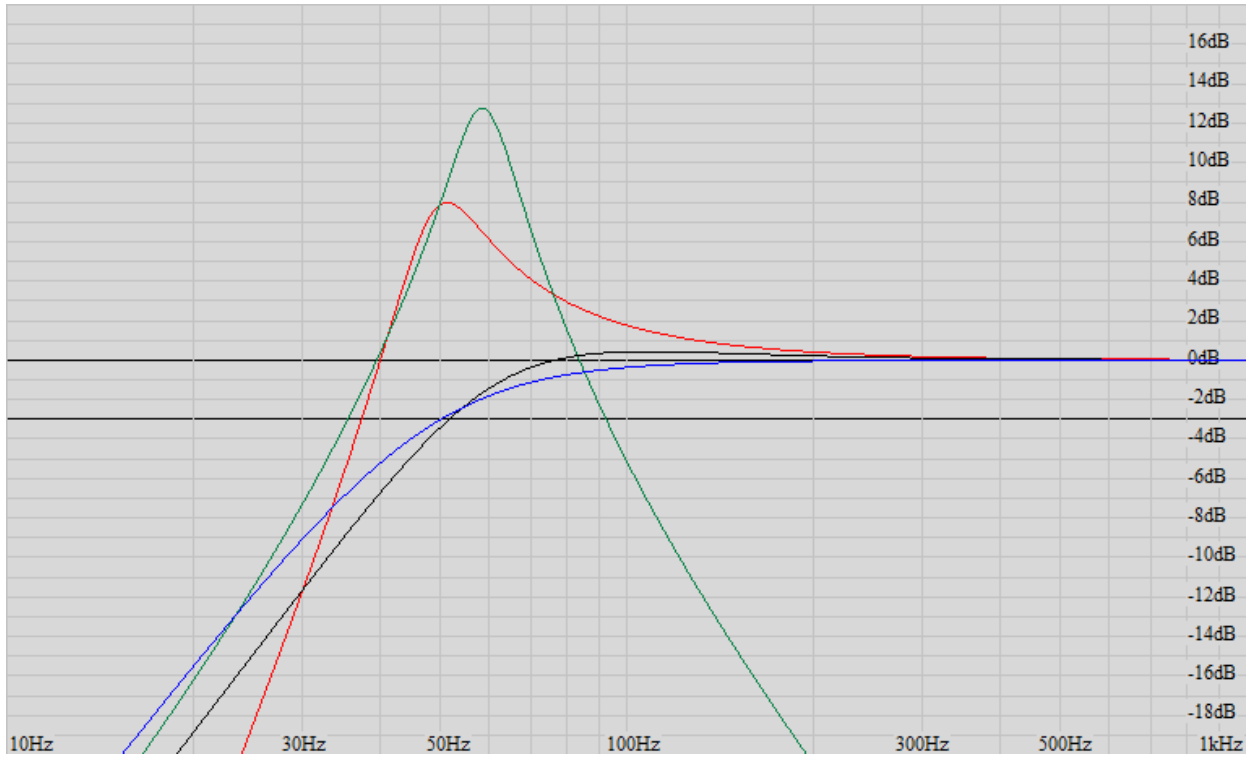
Bitte beachten Sie zudem, dass die finale Abstimmung, speziell die Port Längen je nach Fahrzeug und eigenem Geschmack variiert werden sollte.

Above-mentioned enclosure recommendations are just a few possible variations.

Please note that you should find the perfect tuning, especially port length, based on your car and own taste.



BOX RECOMMENDATION



Bassreflex / Vented (Rot / Red)	60 Liter netto / 2.11 cu.ft. net
Port	1 x 1.6 cm / 1 x 6"
Portlänge / Length*	30 cm / 12"
Fb / F3	48 Hz / 37 Hz

Geschlossen / Sealed	15 – 40 Liter netto / 0.53 – 1.41 cu.ft. net
Minimum Volume (Schwarz / Black)	Min. 15 Liter netto / Min. 0.53 cu.ft. net
Qtc / F3	0.85 / 52 Hz
Maximum Volume (Blau / Blue)	Max. 40 Liter netto / Max. 1.41 cu.ft. net
Qtc / F3	0.68 / 50 Hz

Bandpass 4th order (Grün / Green)	20 Liter netto geschlossen / 0.706 cu.ft. net sealed 40 Liter netto ventiliert / 1.41 cu.ft. net vented
Port	2 x 1.0 cm / 4"
Portlänge / Length*	27 cm / 10.63"
Fb	58 Hz
Bandbreite / Bandwidth (-3dB)	35 – 92 Hz

Die hier aufgeführten Gehäusevorschläge sind nur einige, der möglichen Varianten.

Bitte beachten Sie zudem, dass die finale Abstimmung, speziell die Port Längen je nach Fahrzeug und eigenem Geschmack variiert werden sollte.

Above-mentioned enclosure recommendations are just a few possible variations.

Please note that you should find the perfect tuning, especially port length, based on your car and own taste.

